

DB-Killer EVO N°52
Cod.308421801

Don't use



Silencer Factory S
Carbon
Cod.308420481

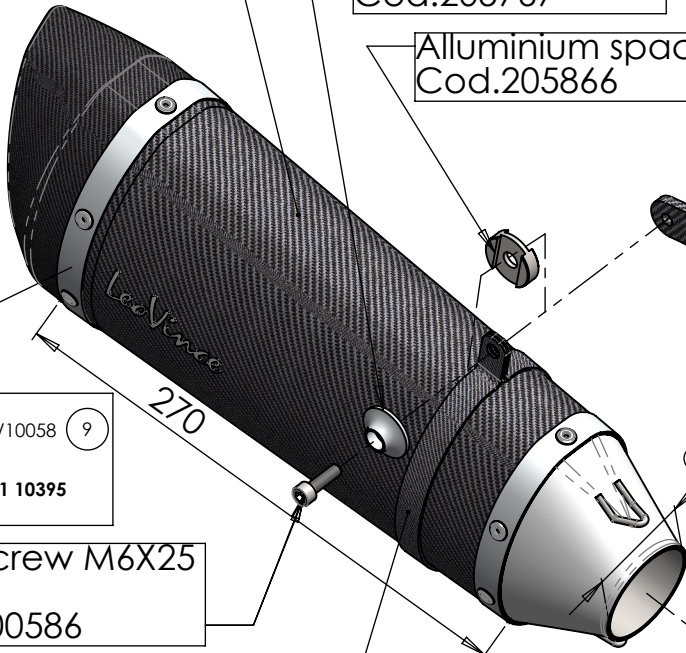
Knurled collar nut M6
Cod.200333

Before mounting the carbon bracket, it is necessary to eliminate the original heel guard and the original exhaust bracket; use the original bolts to fasten it to rearset.

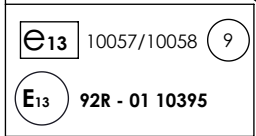
Alluminium spacer
Cod.205767

Alluminium spacer
Cod.205866

Knurled collar nut M8
Cod.200990



Carbon Bracket
Cod.0814162002



Plain Washer 8x17
Cod.200294

Allen screw M6X25
T.C.Z.B.
Cod.200586

Allen screw M8X25
T.C.Z.B.
Cod.200314

Carbon Bracket FR3
Cod.308444501

Pipe N°1095
Cod.3014162201

2 Short helical spring
tensile
Cod.206003

2 Short tube in
silicon rubber
Cod.205961

2 Allen screw
M5X12 T.B.E.I. Cod.201031

2 Plain washer
5x15 Inox Cod.406580

4 Gasket
14x4.9x1.5 Cod.200371

Carbon cover
Cod.0814162001

Strap in stainless
steel Ø57
Cod.300057532

2 Mounting
plate M5 Cod.204555

Art. 14163S

YAMAHA MT10

SLIP-ON - FACTORY S CARBON - APPROVED